

Actuator Dimensions

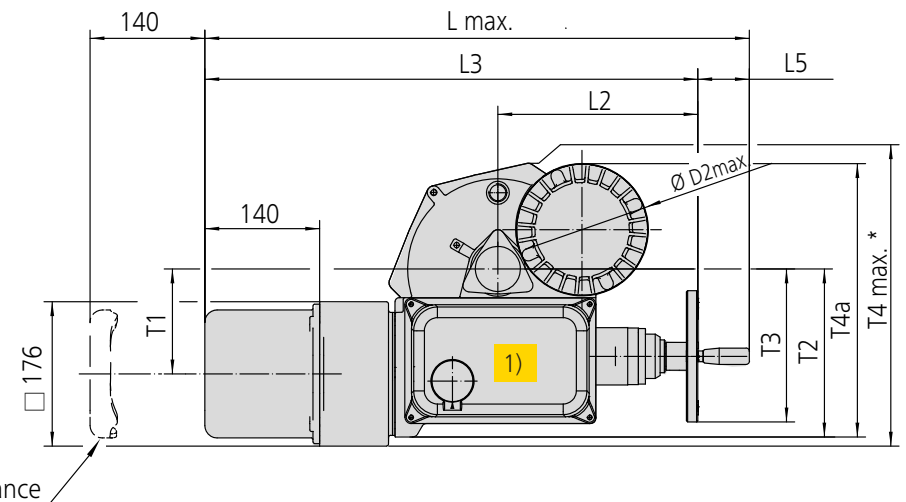
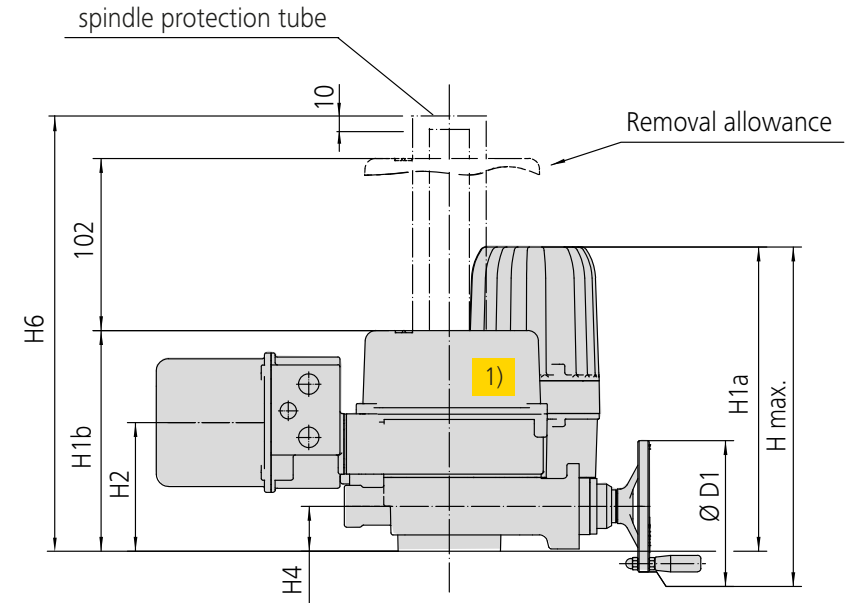
MULTI-TURN ACTUATOR s-range Ex



DREHMO
VALVE ACTUATORS

Actuator Models DEx, DExR	30	59	60	120	249	250	500	1000	2000
Weight [kg]	22	22	32,5	36,5	36,5	63	80	95	
Dimensions [mm]									
L max.	636	636	665	670	670	723	795	795	877
T4 max.	300	300	345	360	360	458	533	583	757
H max.	356	356	397	442	442	570	695	745	881
D1	Ø160	Ø160	Ø160	Ø250	Ø250	Ø250	Ø400	Ø500	Ø500
D2 max.	Ø127	Ø127	Ø160	Ø160	Ø160	Ø245	Ø245	Ø245	Ø245
H1a	325	325	371	371	371	492	542	542	730
H1b	252	252	270	270	270	320	320	320	386
H2	137	137	157	157	157	206	206	206	273
H4	49	49	55	55	55	69	69	69	124
H6	140	140	160	160	160	210	210	210	169
	250	250	270	270	270	452	452	452	500
	352	352	372	372	372	702	702	702	-
	452	452	472	472	472	952	952	952	-
	-	-	572	572	572	-	-	-	-
L3	573	573	602	590	590	644	691	691	772
L5	63	63	63	80	80	80	105	105	105
T1	104	104	128	128	128	129	129	129	203
T2	179	179	205	205	205	214	214	214	294
T3	178	178	187	232	232	260	335	385	450
T4a	287	287	334	334	334	412	412	412	600
cover size 1)	233 x 153 x 102 (L x T x H)					245 x 170 x 102 (L x T x H)			

1) Limit switch compartment housing cover



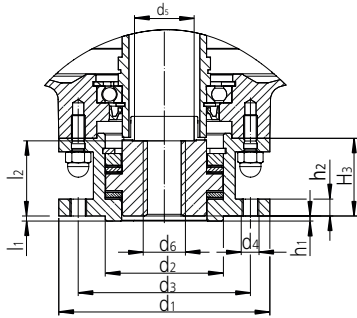
* Depending on the device, the outer dimension is either defined by handwheel or housing.

Connection Dimensions

MULTI-TURN ACTUATOR s-range Ex

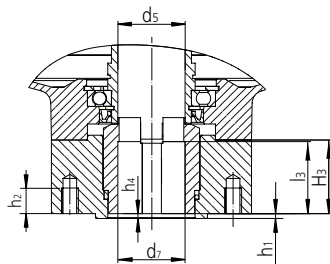
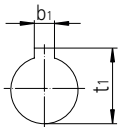
DREHMO
VALVE ACTUATORS

Output drive form
A Stem nut for
rising spindle



Actuator DEx		30	59	60/120	249	250	1000	2000
Actuator DExR		30	59	60/120		250	1000	
size DIN EN ISO 5210 DIN 3210		F07	F10	F10	F14	F14	F16	F25
		-	G0	G0	G1/2	G1/2	G3	-
Dimensions [mm]								
d1	FORM A	90	125	125	175	175	210	350
dz _{rs}	DIN EN ISO 5210	55	70	70	100	100	130	200
	DIN 3210	-	60	60	100	100	130	-
d3		70	102	102	140	140	165	254
d4	4 x	M8	M10	M10	M16	M16	M20	8 x M16
d5		26	30	40.5	40.5	52.5	65.5	85
d _{6max}		24	28	40	40	52	65	85
h1		3	3	3	4	4	5	5
h2		12	16	16	22	23	35	24
H3		36	42	46	58	56	70	130
l1		3	3	3	5	4	5	5
l2		34	41	40	54	54	68.5	130

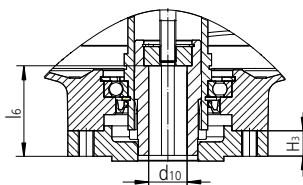
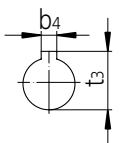
Output drive form
B1, B2, B
Plug bush for
rising spindle *



b1 ^{ISO}	FORM B1, B	8	12	12	18	18	22	28
d5		26	30	40.5	40.5	52.5	65.5	85
d7 ^{HP}	B1, B	28	42	42	60	60	80	100
d7 _{max}	B2, B	28	42	42	60	65	80	100
H3		36	46	46	70	66	81	130
h1		3	3	3	4	4	5	5
h2		3	3	3	4	4	5	5
t1	FORM B1, B	31.3	45.3	45.3	64.4	64.4	85.5	106.4

* missing dimensions see form A

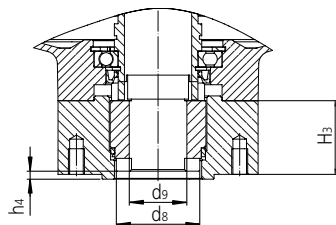
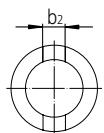
Output drive
form B3, B4,
E *



b4 ^{ISO}	FORM B3, E	5	6	6	8	8	12	14
d10 ^{HP}	B3, E	16	20	20	30	30	40	50
d10 _{max}	B4, E	16	20	30	30	40	50	50
H3		18	17	16	22	23	28	30
l6		41	56	56	79	79	98	118
t2	FORM B3, E	18.3	22.8	22.8	33.3	33.3	43.3	53.8

* missing dimensions see form A

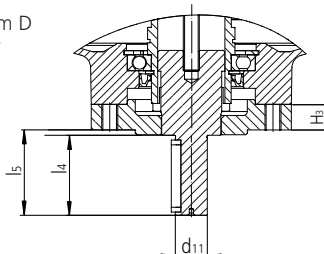
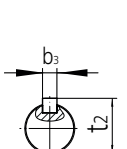
Output drive form C
claw coupling *



b2 ^{HP}	FORM C	14	14	14	20	20	24	30
d8		42	54	54	80	85	110	139.9
d9		26	28	28	38	38	47	85
H3		36	46	46	70	66	81	130
h4		3	3	3	4	4	5	5

* missing dimensions see form A

Output drive form D
shaft extension *



b3 ^{HP}	FORM D	5	6	6	8	8	12	-
d11		16	20	20	30	30	40	-
H3		18	17	16	22	23	28	30
l4		40	50	50	70	70	90	-
l5		45	55	55	76	76	96	-
t2		18	22.5	22.5	33	33	43	-

* missing dimensions see form A